

# LUX-860-480

LUX 860W LED PRO 480V



## Physical

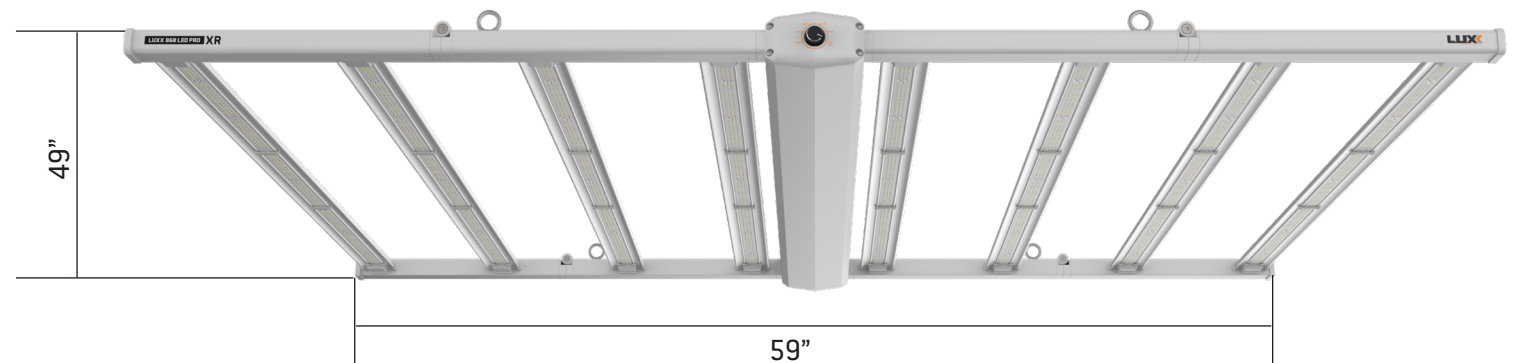
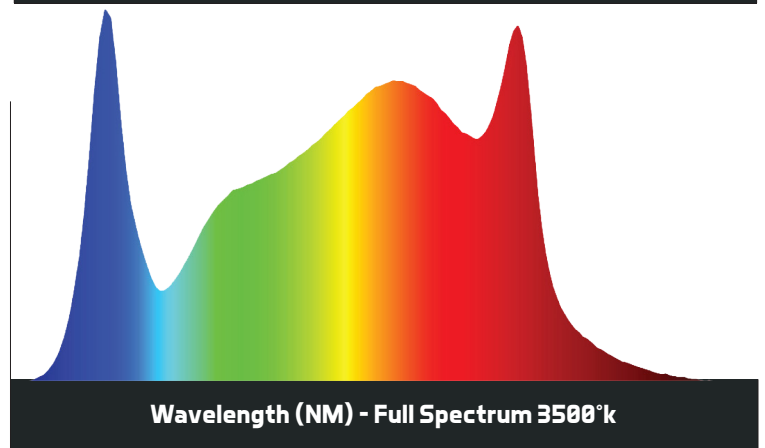
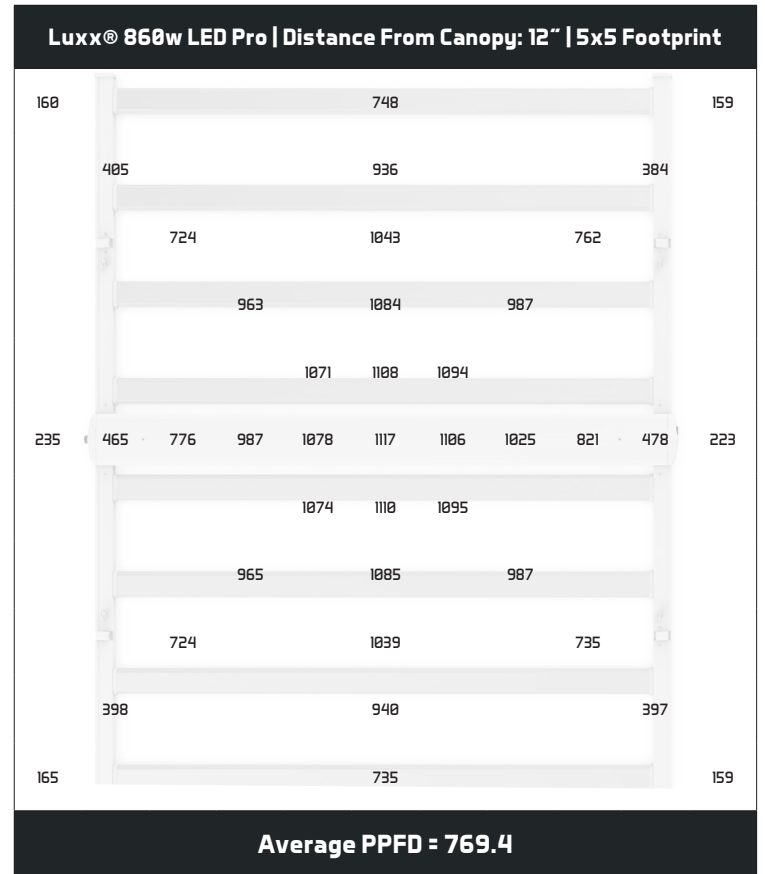
Total Length	1244mm	49"
Total Width	1500mm	59"
Total Height	65mm	2.55"
Total Weight	19kg	42lbs

## Performance

Input Voltage	277 - 480V
277V	3.20A
347V	2.48A
480V	1.79A
Input Current	3.20A - 1.79A
Input Power	860W
Min Power Factor	>0.95%
Thermal Management	Passive
Lifetime	L90: >54,000 hrs
Onboard Dimming	40% - 50% - 60% - 80% - 100% - EXT
Max Operation Temp	104 °F [40 °C]
Power Cord	10ft
277 - 480V	277 - 480V Bare Wire Lead (10ft)
Rated Mains Voltage	277 - 480V
Voltage Range	200-528V
Mains Frequency	50/60Hz
Operation Frequency	50/60Hz

### LIMITED WARRANTY:

When purchased from an authorized Hawthorne dealer, this product is covered by a LIMITED WARRANTY, available at [hawthornegc.com/warranties](http://hawthornegc.com/warranties). You can also obtain the Terms of Sale and Limited Warranty by calling Hawthorne toll-free at: 1-888-478-6544 or writing Hawthorne at: Hawthorne Hydroponics LLC, 3204 NW 38th Circle, Vancouver, WA 98660, Attn: Customer Service.



Manufactured for Hawthorne Hydroponics LLC, a subsidiary of The Hawthorne Gardening Company

3204 NW 38th Circle, Vancouver, WA 98660

HawthorneGC.com | Canada: HawthorneGC.ca

©2022. World rights reserved.

